

Simplified Instruction Manual

- This manual is a simplified version of the instruction manual. When using the indicator, please read the AD-4401A Weighing Indicator Instruction Manual which is available on our website. Download the latest complete instruction manual at:
URL: <http://www.aandd.co.jp/>
- No part of this publication may be reproduced, transmitted, transcribed, or translated into any other language in any form by any means without the written permission of A&D Company, Limited.
- The contents of this manual and the specifications of the instrument covered by this manual are subject to change for improvement without notice.

©2015 A&D Company, Limited All rights reserved.

3-23-14 Higashi-Ikebukuro, Toshima-ku, Tokyo 170-0013, JAPAN
Telephone: [81] (3) 5391-6132
Fax: [81] (3) 5391-6148

1WMPD4003052

1. SAFETY PRECAUTIONS

Read the following precautions carefully before using the indicator.

[Precautions for designing]

WARNING

- Provide an external safety circuit to the indicator so that the safety of the whole system can be secured even if errors occur in the external power supply or in the indicator.

[Precautions for installation]

WARNING

- Do not use the indicator in the following environments:
 - where the temperature and the humidity exceed the specifications
 - where corrosive gases or flammable gases exist
 - where the indicator gets wet with oil, chemicals or water
 Please note that securing the indicator to the control panel will provide the indicator outside of the control panel with IP65 protection.
- When installing or removing the indicator, be sure to turn off all used external power supplies beforehand.

[Precautions for wiring]

WARNING

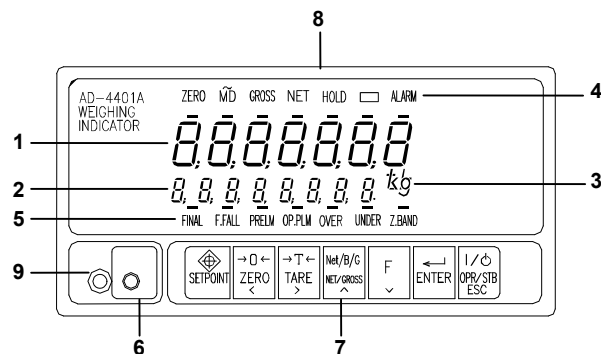
- When wiring the indicator, be sure to turn off all used external power supplies beforehand.
- When wiring is complete, be sure to attach the terminal block cover provided with the indicator.
- Be sure to earth ground the indicator.

CAUTION

- Do not clamp control wires or communication cables with power lines or place them close to power lines.
- Place the load cell cable sufficiently away from high frequency circuits such as high voltage power lines and inverter load circuits.

2. PART NAMES

2.1. Front Panel

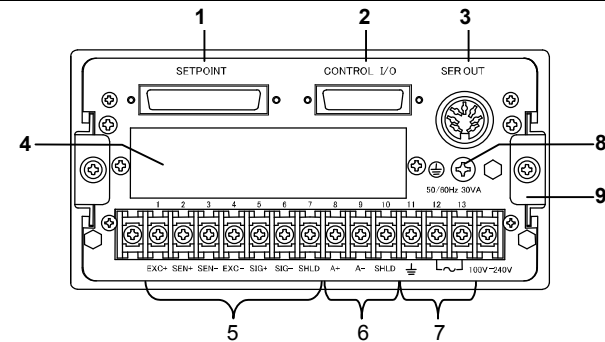


-1-

No.	Name						
1	Main						
2	Sub						
3	Unit						
4	ZERO / STABLE (MD: Motion detection) / GROSS / NET / HOLD / FUNCTION / ALARM						
5	<table border="1"> <tr> <th>Normal batching</th> <th>Loss-in-weight batching</th> <th>Check weighing</th> </tr> <tr> <td>Final weight / Free fall / Preliminary / Optional preliminary / Overweight / Underweight / Near-zero</td> <td>Final weight / Free fall / Preliminary / Full / Overweight / Near-zero</td> <td>Near-zero / Lo-Lo / Lo / Go / Hi / Hi-Hi</td> </tr> </table>	Normal batching	Loss-in-weight batching	Check weighing	Final weight / Free fall / Preliminary / Optional preliminary / Overweight / Underweight / Near-zero	Final weight / Free fall / Preliminary / Full / Overweight / Near-zero	Near-zero / Lo-Lo / Lo / Go / Hi / Hi-Hi
Normal batching	Loss-in-weight batching	Check weighing					
Final weight / Free fall / Preliminary / Optional preliminary / Overweight / Underweight / Near-zero	Final weight / Free fall / Preliminary / Full / Overweight / Near-zero	Near-zero / Lo-Lo / Lo / Go / Hi / Hi-Hi					
6	CAL (Calibration) key						
7	SETPOINT: Sets the setpoint values for batch weighing and check weighing. ZERO: Sets the gross value to zero when the weight value is within the zero setting range. (Default zero setting range: 2% of maximum capacity) TARE: Saves the current gross value as tare and sets the net value to zero. NET/GROSS: Selects the weight value display method, gross or net. Function: No function is assigned in the default setting. ENTER: Does not function alone. ON/OFF: Turns the display on or off.						
8	Rating label (Accessory)						
9	Sealing cover						

* Attach the accessory status label when performing loss-in-weight batching or check weighing.

2.2. Rear Panel



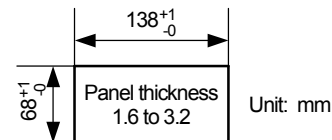
No.	Name	No.	Name
1	SETPOINT input connector	6	Optional analog 4-20 mA output terminal block
2	CONTROL I/O connector	7	AC power input terminal block
3	SER.OUT (Standard serial output) connector	8	Protective conductor terminal
4	Option slot	9	Slide rail
5	Load cell input terminal block		

2.3. Accessories

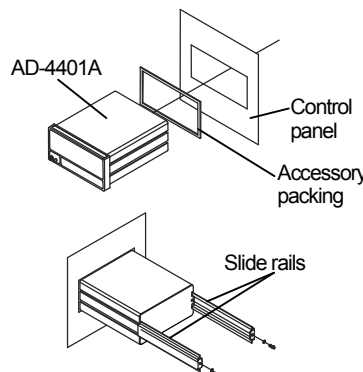
Name	Qty.	Name	Qty.
Terminal block cover	1	Panel mount packing	1
Terminal block cover securing screw	2	Rubber foot	4
Connector for the CONTROL I/O	1	Rating label	1
Connector for the SER.OUT	1	Status label	1

3. INSTALLATION TO CONTROL PANEL

Make a hole in a control panel as shown below.



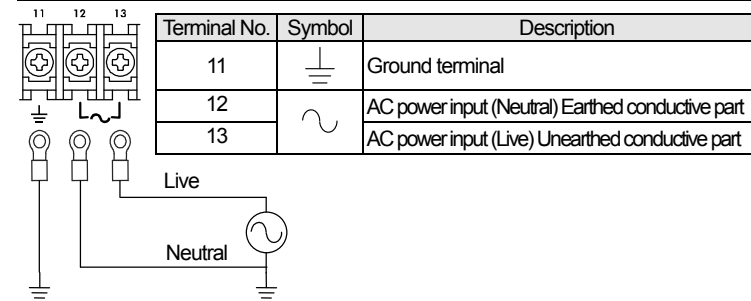
Remove the slide rails on both sides and insert the AD-4401A with the accessory packing through the hole into the panel.



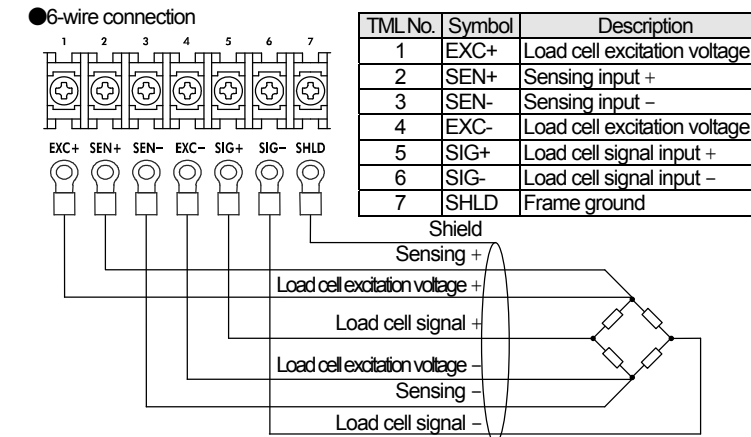
Insert the slide rails from behind.

-2-

4. CONNECTION TO POWER SUPPLY



5. CONNECTION TO LOAD CELL



For 4-wire connection, short-circuit the terminals No.1 and No.2, and terminals No.3 and No.4.

6. CALIBRATION

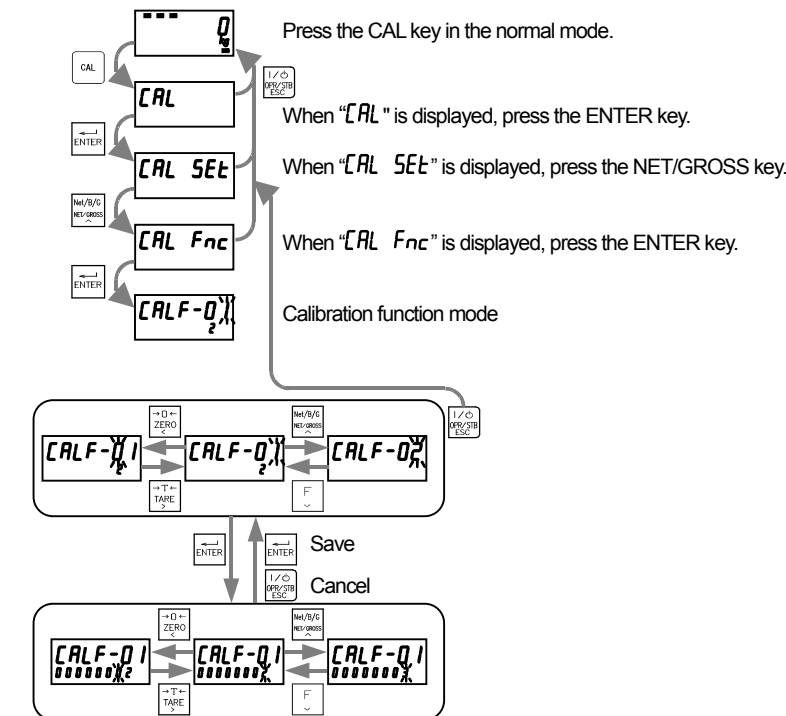
Calibrates the AD-4401A to convert the signal from the load cell to a mass value correctly.

6.1. Calibration Setting

Set the following calibration functions which are required for calibration using calibration weights.

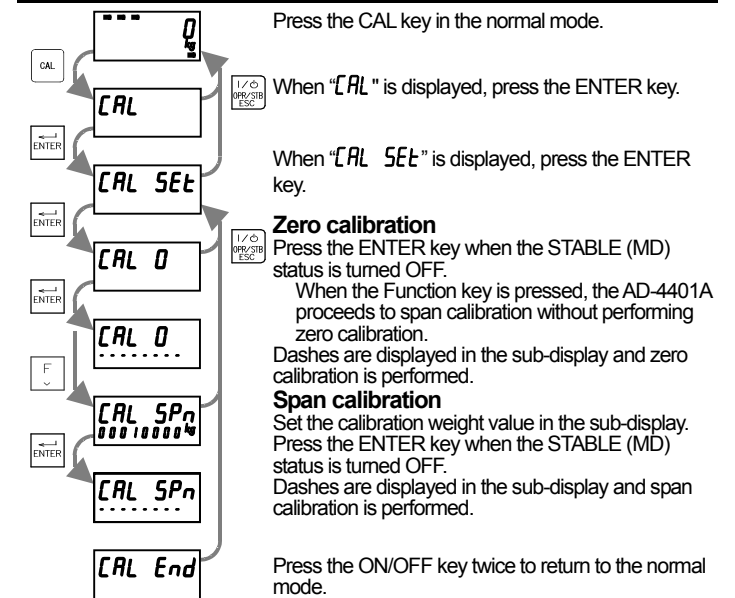
CALF	Item	Setting Value	Default	CALF	Item	Setting Value	Default
01	Unit	0: None 1: g 2: kg 3: t 4: lb	2	03	Minimum division	1, 2, 5, 10, 20, 50 d	1
02	Decimal point position	0: 0 (No DP) 1: 0.0 2: 0.00 3: 0.000 4: 0.0000	0	04	Maximum capacity	0 to 999999	20000

The rest skipped (For details, refer to the instruction manual)



-3-

6.2. Calibration Using Calibration Weights

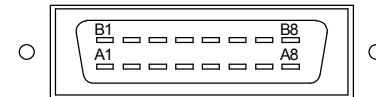


7. FUNCTIONS

When the AD-4401A is powered ON, all the segments of the display turn ON and OFF to check the display. Then the AD-4401A enters the normal mode and starts weighing. If the AD-4401A is powered OFF during the OFF mode (with the display OFF), the AD-4401A will be in the OFF mode when powered ON.

7.1. Control I/O

CONTROL I/O

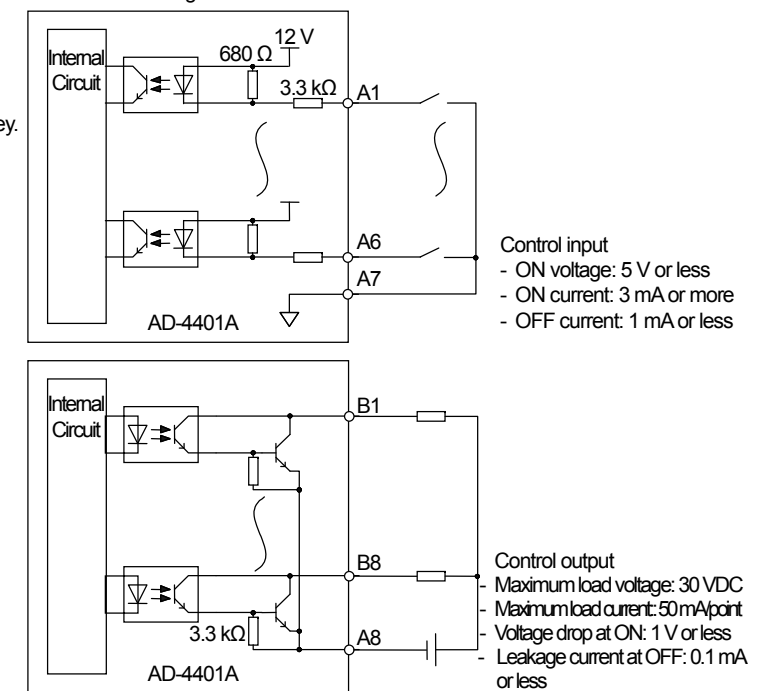


The applicable connector is an FCN-360 series 16-pin female connector manufactured by Fujitsu Component Limited or the equivalent. An FCN-361J016 (connector) and an FCN-360C016 (cover) are provided with the indicator.

Pin No.	Description	Description	Pin No.
A1	Zero setting Input	Near-zero Output	B1
A2	Tare Input	Underweight, Hi-Hi Output	B2
A3	Weighing start Input	OK, Hi Output	B3
A4	Emergency stop Input	Large flow, Full, Go Output	B4
A5	Discharge start Input	Medium flow, Lo Output	B5
A6	Key lock Input	Small flow, Lo-Lo Output	B6
A7	Input common	Discharge Output	B7
A8	Output common	Weighing end Output	B8

The above are the default settings. Assigned functions can be changed for each pin.

Connection Diagram

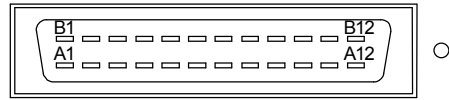


-4-

7.2. Setpoint Input

Setpoints are set using the setpoint input from external devices. Setpoints that cannot be set using the setpoint input are set using key switches.

SETPOINT

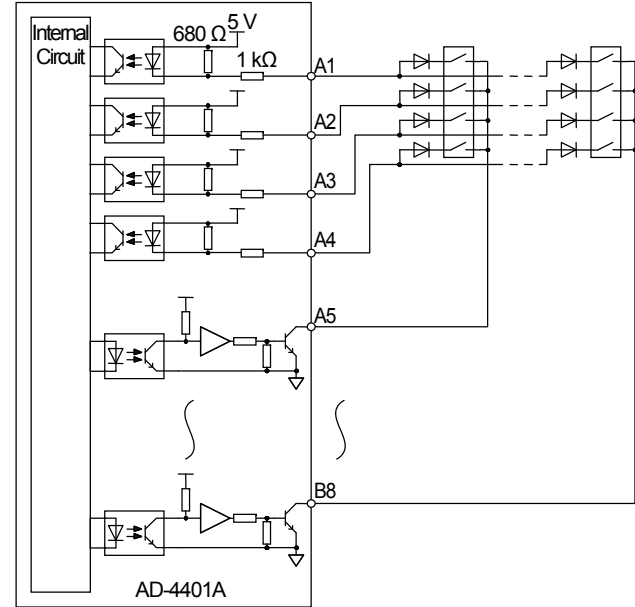


The applicable connector is an FCN-360 series 24-pin female connector manufactured by Fujitsu Component Limited or the equivalent. The connector is not provided and must be supplied by the user.

Settable setpoints depend on the weighing mode. For details, refer to the instruction manual.

Connection Diagram

Setpoint input is 4x16 key matrix input.

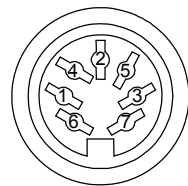


- Key scan output
- Voltage drop at ON: 1 V or less
 - Leakage current at OFF: 0.1 mA or less
- Key scan input
- ON voltage: 1 V or less
 - ON current: 3 mA or more
 - OFF current: 1 mA or less

7.3. Standard Serial Output

Pin Assignment

SER.OUT



Pin No.	Description
1	NC
2	Frame ground
3	Current loop output No sign
4	NC
5	Current loop output No sign
6	NC
7	NC
Shell	Frame ground

The applicable connector is a DIN connector 7-pin plug manufactured by Hosiden Corporation or the equivalent.

A TCP0576-715267 connector is provided with the indicator.

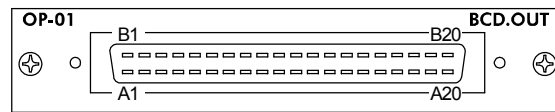
Communication Specifications (Default)

Signal level	Current loop 0 to 20 mA
Baud rate (rS F-03)	2400 bps
Character bit length	7 bits
Parity	Even
Start bit length	1 bit
Stop bit length	1 bit
Code	ASCII
Terminator	CR LF

Communication Functions

Interval output at the display update rate. (Default)

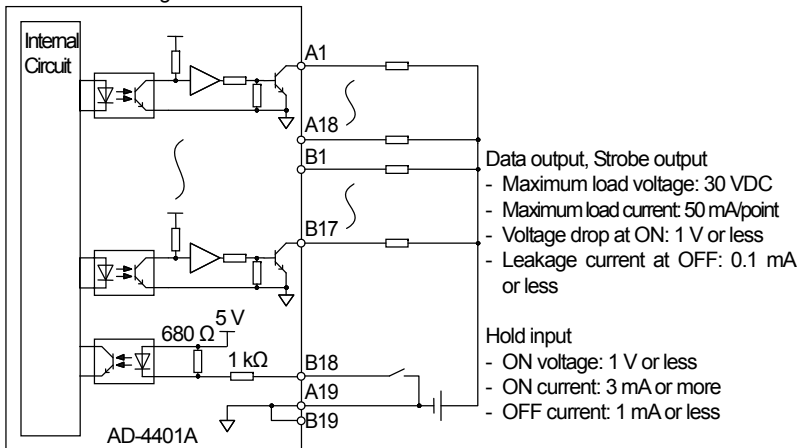
7.4. BCD Output



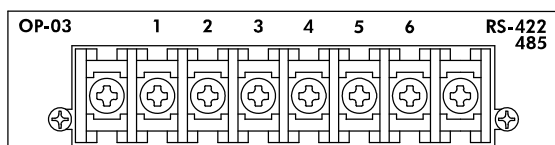
The applicable connector is an FCN-360 series 40-pin female connector manufactured by Fujitsu Component Limited or the equivalent. An FCN-361J040 (connector) and an FCN-360C040 (cover) are provided with this option.

Pin No.	Description	Description	Pin No.
A1	1	2	B1
A2	4	8	B2
A3	10	20	B3
A4	40	80	B4
A5	100	200	B5
A6	400	800	B6
A7	1000	2000	B7
A8	4000	8000	B8
A9	10000	20000	B9
A10	40000	80000	B10
A11	100000	200000	B11
A12	400000	800000	B12
A13	OFF: Overload	ON: Positive OFF: Negative	B13
A14	ON: Stable	ON: Net value OFF: Gross or Tare value	B14
A15	Decimal point position		B15
A16	A15=ON, B15=ON, A16=ON, B16=ON: None A15=OFF, B15=ON, A16=ON, B16=ON: 0.0 A15=ON, B15=OFF, A16=ON, B16=ON: 0.00 A15=ON, B15=ON, A16=OFF, B16=ON: 0.000 A15=ON, B15=ON, A16=ON, B16=OFF: 0.0000		B16
A17	Unit A17=OFF, B17=OFF: None or kg A17=ON, B17=ON: g A17=OFF, B17=ON: t A17=ON, B17=OFF: lb		B17
A18	Strobe output	Hold input	B18
A19	Common	Common	B19
A20	Frame ground	Frame ground	B20

Connection Diagram



7.5. RS-422/485

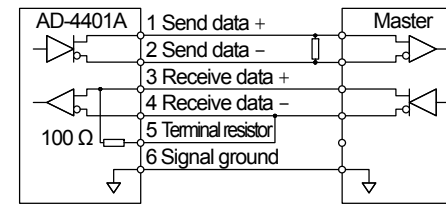


Terminal No.	Description
1	Send data +
2	Send data -
3	Receive data +
4	Receive data -
5	Open-circuit: Disable the terminal resistor Short-circuited to No. 4: Enable the terminal resistor
6	Signal ground

The communication specifications and communication functions are the same as those for the RS-232C.

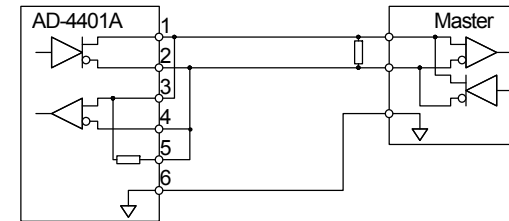
Connection Diagram

RS-422

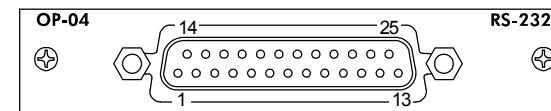


2-wire RS-485

To use the 2-wire RS-485, set "RS-422/485 electrical specifications (rS F-08)" to 2. Short-circuit the terminals No.1 and No.3, and the terminals No.2 and No.4. Terminal resistors must be installed on both ends of the circuit.



7.6. RS-232C

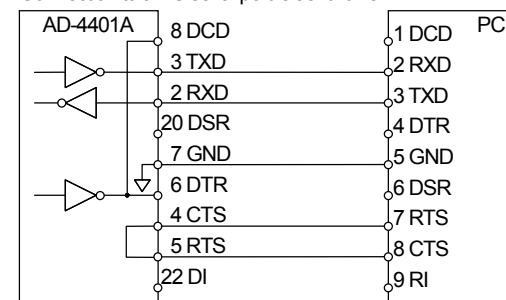


The applicable connector is a D-sub 25-pin male connector. The locking screw is M2.6. The connector is not provided and must be supplied by the user.

Pin No.	Description	Pin No.	Description
1	FG	7	GND
2	RXD	8	DCD
3	TXD	9 to 19	NC
4	CTS	20	DSR
5	RTS	21 to 25	NC
6	DTR		

Connection Diagram

Connection to a PC serial port is as follows.



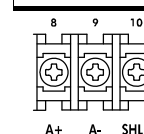
Communication Specifications (Default)

Signal Level (rS F-08, rS F-09)	RS-232 compliant	Start bit length	1 bit
Baud rate (rS F-03)	9600 bps	Stop bit length (rS F-06)	2 bits
Character bit length (rS F-05)	7 bits	Code	ASCII
Parity (rS F-04)	Even	Terminator (rS F-07)	CR LF

Communication Functions

Interval output at the display update rate. (Default)

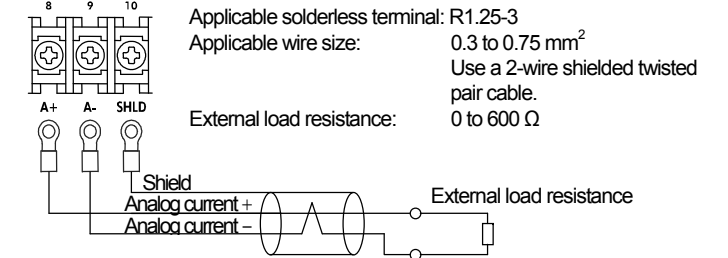
7.7. Analog 4-20 mA Output



Terminal No.	Symbol	Description
8	A+	Analog current output +
9	A-	Analog current output -
10	SHLD	Frame ground

When the optional analog 4-20 mA output is not installed, the terminals No.8 and No.9 are vacant. Check the 07 column of the option list on the side of the indicator casing.

Connection Diagram



8. SOFTWARE VERSION

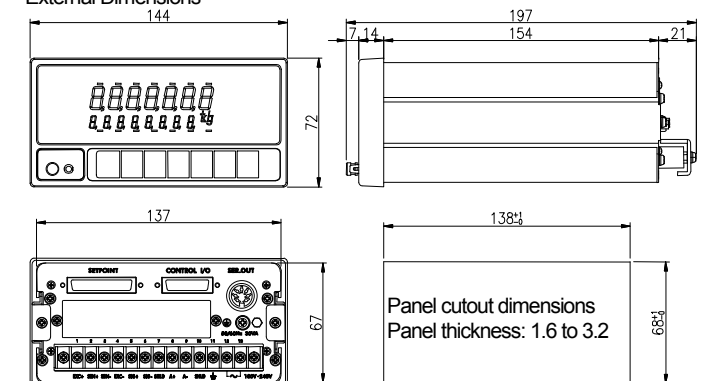
Confirm the software version in the normal mode by doing the following:

1. Press and hold the ENTER key and press the SETPOINT key.
2. Press and hold the ZERO key and press the ENTER key.
3. Press the Function key.
4. Press the ENTER key.
The software version is displayed in the sub-display.
5. Press the ON/OFF key twice to return to the normal mode.

9. SPECIFICATIONS

Dimensions	144 (W) x 72 (H) x 197 (D) mm
Operating temperature and humidity range	-10°C to 40°C Less than 85 % RH, non-condensing
IP rating	When the indicator is secured to the control panel: Outside of the control panel: IP65 Inside of the control panel: IP2X
Power supply	
Power supply voltage	100 to 240 V AC +10% -15% 50/60 Hz ±5%
Maximum apparent power	30 VA
Rush current	100 V AC: 15A or less, 200 V AC: 30A or less
Fuse	Internal (Not user replaceable)
Load cell input	
Excitation voltage	10 VDC ±5% 230 mA Up to eight 350 Ω load cells can be connected in parallel. 6-wire type with remote sensing
Signal input range	0.0 to 3.2 mV/V
Minimum input sensitivity	0.3 μV
Zero calibration range	0.0 to 2.0 mV/V
Nonlinearity	±0.01 %
Temperature coefficient	Zero drift: ±0.2 μV/°C RTI Typ. Span drift: ±8 ppm/°C Typ.
Sampling rate	100 times/s
Display	
Main display	7-digit VFD with character height of 13 mm
Sub-display	8-digit VFD with character height of 7 mm
Unit	g, kg, t, lb or none (selectable)
Status display	14
Key switches	
Key switch	7
Key switch with sealing cover	1
External Input / output	
Control I/O	Non-voltage contact input: 6 points NPN open collector output: 8 points
Setpoint input	Key matrix input
Standard serial output	Current loop output
Option boards	
BCD output	A dedicated slot is available only for analog 4-20
RS-422/485	mA output.
RS-232C	Among other option boards, only one can be
Analog 4-20 mA output	installed.

External Dimensions



Unit: mm