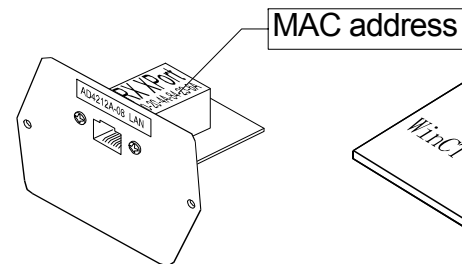


## AD4212A-08 Ethernet Interface

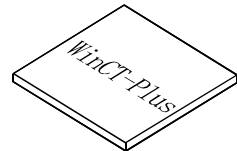
A&D Company, Limited

This Ethernet Interface can connect the AD4212A to the LAN port of a computer. When using the Ethernet Interface, the weight data of the weighing instrument can be managed through the network.

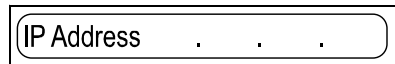
### Unpacking the AD4212A-08



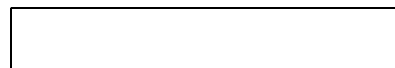
AD4212A-08 board  
Ethernet Interface



CD-ROM  
Windows communication software WinCT-Plus



IP address label (5 labels)  
Write the IP address on a label and use it for identification.



IP address protective cover (5 covers)  
Affix a protective cover over the IP address label.

### Installing the AD4212A-08

**Caution:** Remove the AC adapter from the AD4212A while doing the following work.

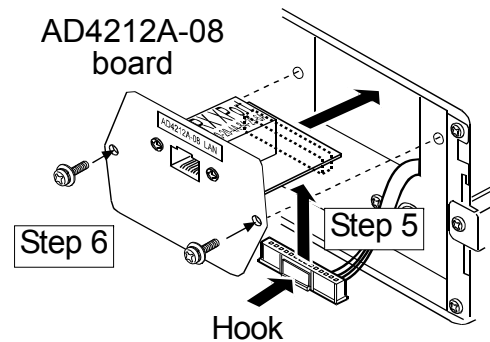
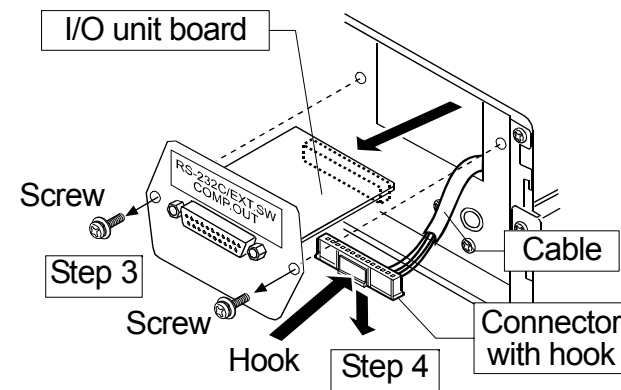
Step 1 Record the MAC address\* (Hardware address) printed on the AD4212A-08 board.  
The MAC address is required when specifying the IP address.  
\* Example: 00-20-4A-84-23-D6

Step 2 Remove the two screws that secure the I/O unit to the rear of the display unit and pull out the I/O unit board gently. Do not pull the cable excessively.  
(The I/O unit board can be pulled out only Approx. 10 cm.)

Step 3 Push the hook aside and remove the connector from the I/O unit board.

Step 4 Insert the connector into the AD4212A-08 board.

Step 5 Be careful that the cable will not be crushed and insert the AD4212A-08 board.  
Attach the AD4212A-08 with the two screws removed in Step 3.



### Connecting the AD4212A-08 to a Computer

#### Caution

- Contact the network manager before connecting the AD4212A-08 to a network.  
The AD4212A-08 could generate a network error. A&D and dealers assume no responsibility for errors.
- Preset the IP address and subnet mask to the AD4212A-08 one by one.  
The IP address, 172.16.100.2, is set for all units at the factory. Do not duplicate an IP address. (Preset the IP address to matched MAC address if necessary.)
- The IP address can not be returned to factory setting automatically.  
We recommend that you write the IP address on the supplied label.

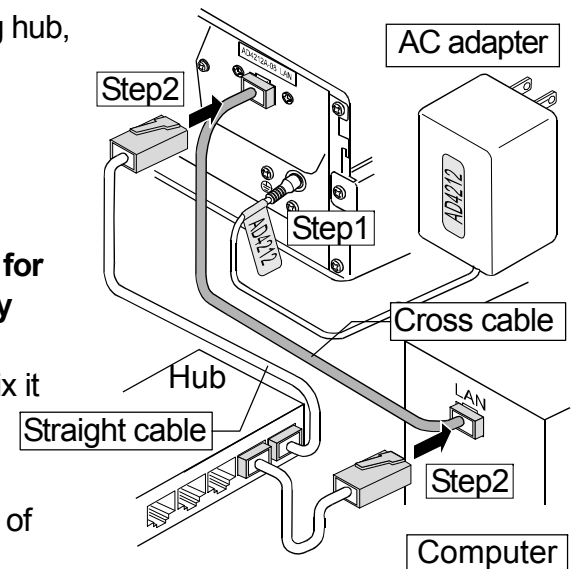
Step 1 Connect the AD4212A-08 and the computer using a hub and straight cables. (When connecting directly without using hub, use a cross cable)

Step 2 Reconnect the AC adapter to the AD4212A.

Step 3 Input the IP addresses and a subnet mask of the AD4212A-08 and computer. Refer to the procedure [A&D WinCT-Plus] → [Manual.PDF] of the CD-ROM for the setting of devices. Communication errors may occur with the wrong procedure.

Step 4 Write the IP address on "the IP address label" and affix it where you can see the address easily.

Step 5 Install the data acquisition software "RsMulti" into the computer. Refer to [A&D WinCT-Plus] → [Manual.PDF] of the CD-ROM for this installation.



### The Outline for Windows Communication Software

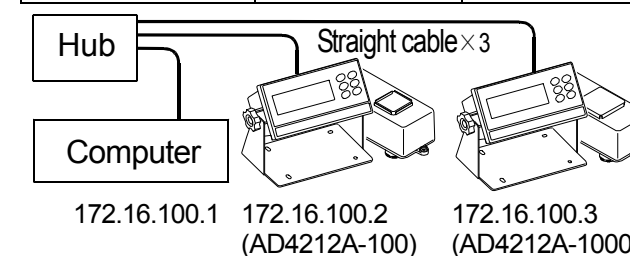
Run the data acquisition software "RsMulti". Menu: [Start] → [Program] → [A&D WinCT-Plus] → [RsMulti].  
Refer to the [A&D WinCT-Plus] → [Manual] for the operation.

- The software can acquire data from multiple devices connected with a LAN or RS-232C.
- The software can control these devices with commands.
- The software can acquire data transmitted from devices.  
Example: When pressing the **PRINT** key of the balance, data is output and is acquired with the computer.
- The stored data can be used with EXCEL. (Install the Microsoft EXCEL before use.)

#### Example

Two balances are connected.

	IP address	Subnet mask
Computer	172.16.100.1	255.255.0.0
AD4212A-100	172.16.100.2	
AD4212A-1000	172.16.100.3	



A sample window of the "RsMulti"

