

LOAD CELL BM14G

- BM14G load cells are available in the capacities 10t to 50t.
- They offer 17-4PH stainless steel construction, electronic hermetic sealing, oil proof, waterproof, anti-corrosive gas and medium making them lightening protected in all kinds of environments.
- Single column design, automatically recovery and they are suitable for platform scale, automobile testing facilities, hopper scale and other electronic weighing devices.

Important Features

- Capacities: 10t ~50t.
- High accuracy.
- Total Stainless steel construction.
- Easy installation and reliable performance.
- OIML approval: (PTB: D09-05.21).

Accessory

- BY-14-105

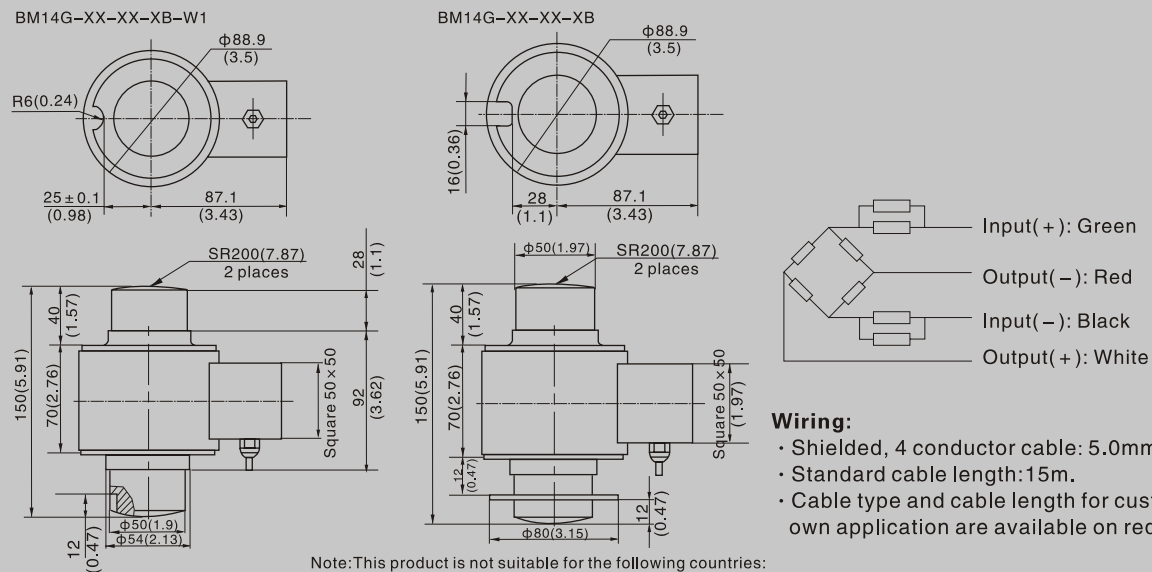


Specifications

Maximum capacity	t	10/20/30/40/50				
		C2	C3	C4	A5M	B10M
Accuracy class						
Approvals			OIML R60 C3			
Maximum number of verification intervals	Π_{max}	2000	3000	4000	5000	10000
Minimum load cell verification interval	Π_{min}	Emax/5000	Emax/12000	Emax/14000	Emax/15000	Emax/10000
Combined error	(%FS)	$\leq \pm 0.030$	$\leq \pm 0.020$	$\leq \pm 0.018$	$\leq \pm 0.026$	$\leq \pm 0.050$
Creep	(%FS/30min)	$\leq \pm 0.023$	$\leq \pm 0.016$	$\leq \pm 0.012$	$\leq \pm 0.017$	$\leq \pm 0.040$
Temperature effect on sensitivity	(%FS/10°C)	$\leq \pm 0.017$	$\leq \pm 0.011$	$\leq \pm 0.009$	$\leq \pm 0.013$	$\leq \pm 0.040$
Temperature effect on zero	(%FS/10°C)	$\leq \pm 0.029$	$\leq \pm 0.012$	$\leq \pm 0.010$	$\leq \pm 0.014$	$\leq \pm 0.020$
Output sensitivity	(mv/v)	2.0 ± 0.002				
Input resistance	(Ω)	700 ± 7				
Output resistance	(Ω)	703 ± 4				
Insulation resistance	(MΩ)	≥ 5000(50VDC)				
Zero balance	(%FS)	1.0				
Temperature, compensated	(°C)	-10 ~ +40				
Temperature, operating	(°C)	-40 ~ +80				
Excitation, Recommended	(V)	5 ~ 12(DC)				
Excitation, Max	(V)	18(DC)				
Safe overload	(%FS)	150				
Ultimate overload	(%FS)	300				

Note: Users could choose BM14G with different construction by their need. Please contact our salesmen for detailed information.

Outline Dimension mm (inch)



Note: This product is not suitable for the following countries: UK, France, Germany, Italy, The Netherlands