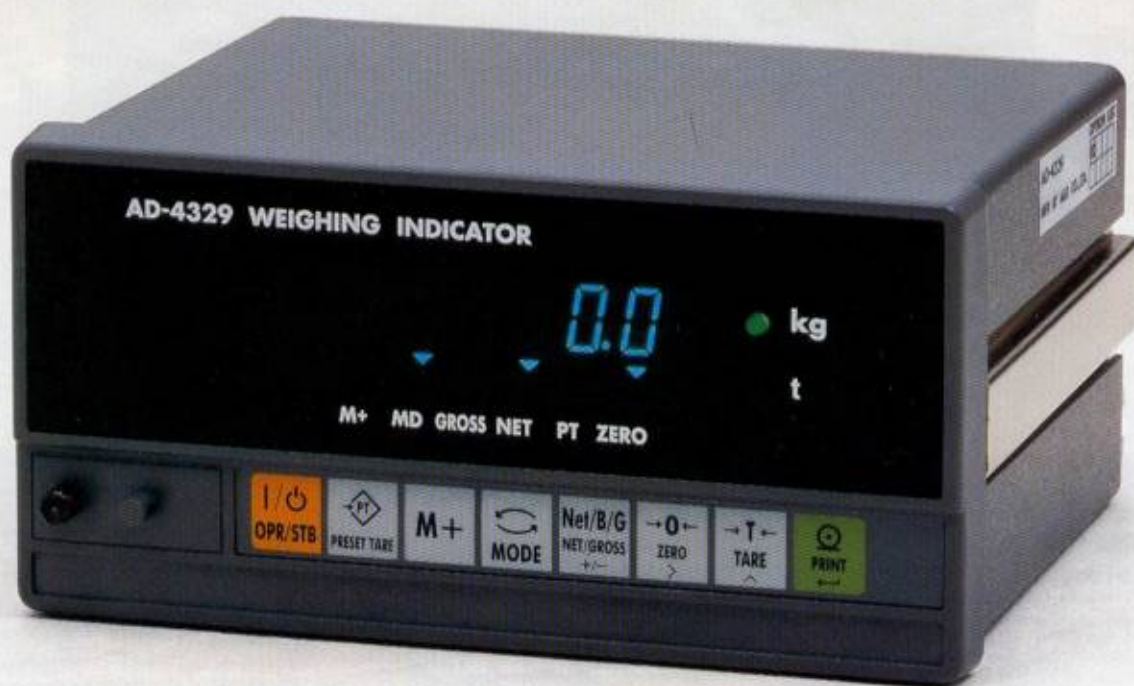


# AD-4329

Weighing Indicator



*Meets your needs to  
expand your business today!*



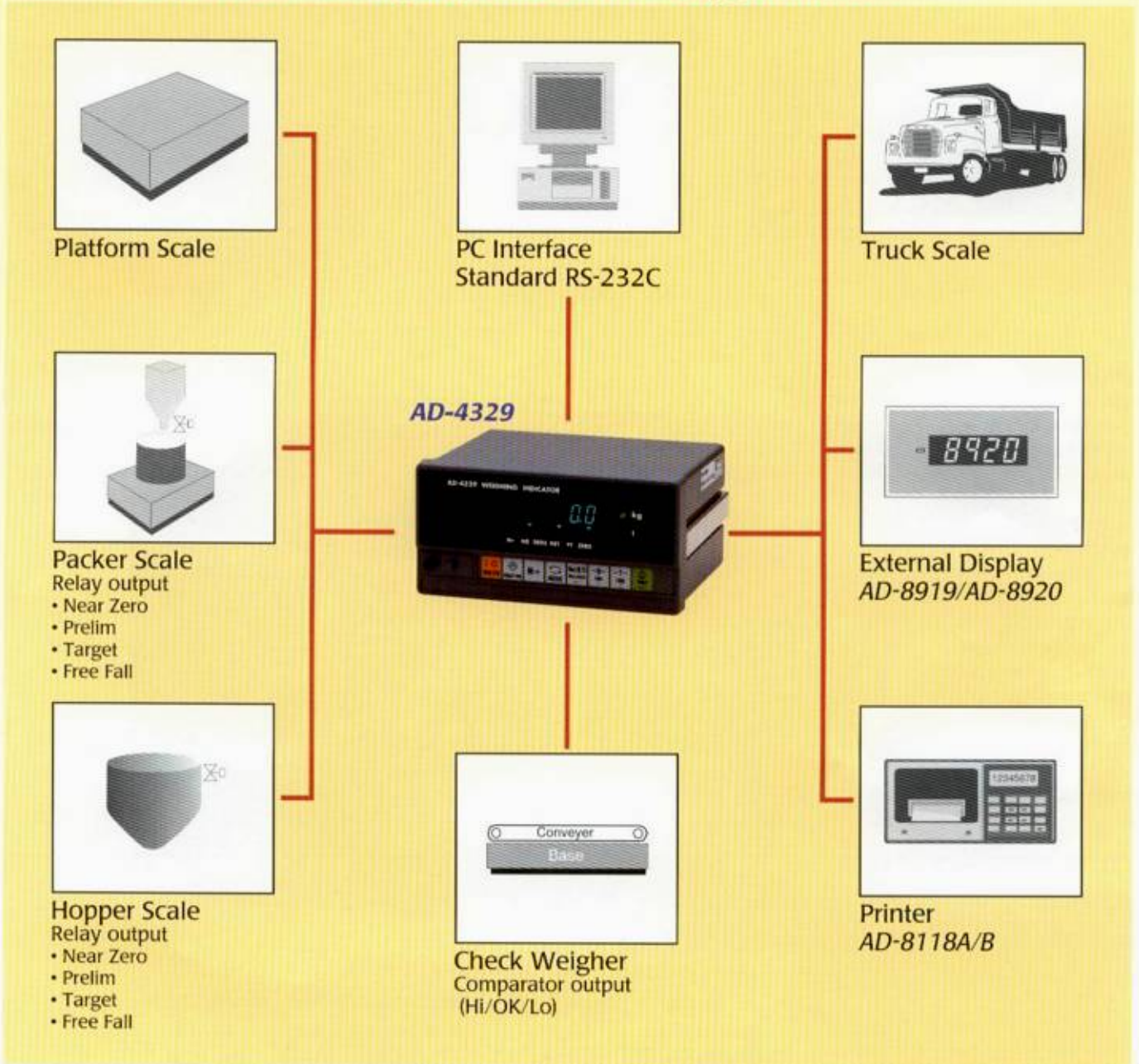
**A&D**

A&D Company, Limited  
[www.aandd.co.jp](http://www.aandd.co.jp)

... Clearly a Better Value

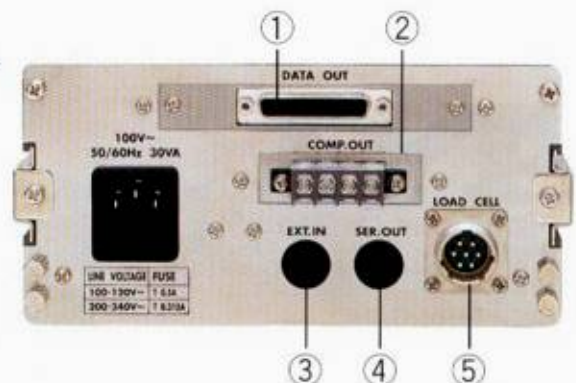
# Your Best Solution

**Best Price Performance for your various applications**



## Rear Panel View

- ① Standard RS-232C Interface
- ② Optional comparator output (AD-4329-02)
- ③ External control input
- ④ Standard current loop output
- ⑤ Load cell connector





# AD-4329

## Weighing Indicator

- ★ Standard RS-232C Interface
- ★ 4-Point digital linearization across the full span
- ★ Triple ranges on weighing capacity are available
- ★ Comparator output to an optional relay
- ★ Vacuum fluorescent display



### CAL

Hidden behind the cover on the front panel. Enter the calibration mode/Enter the CF functions settings.

### Keys

**OPR/STB** — Turns display On/Off. The load cell is still powered when the display is off.

**PRESET TARE** — Sets the preset tare weight.

**M+** — Accumulates the displayed weighing value.

**MODE** — Displays and clears the accumulated weighing values. Used in calibration.

**NET/B/G NET/GROSS** — Switches between net and gross weights.

**0 ZERO** — Sets the zero point.

**T TARE** — Subtracts the tare weight.

**PRINT** — Outputs data to a peripheral device such as a printer. Save parameters in the Function settings.

*The AD-4329 is your best choice for a variety of applications such as platform scale, packer scale, hopper scale, check-weigher and truck scale.*

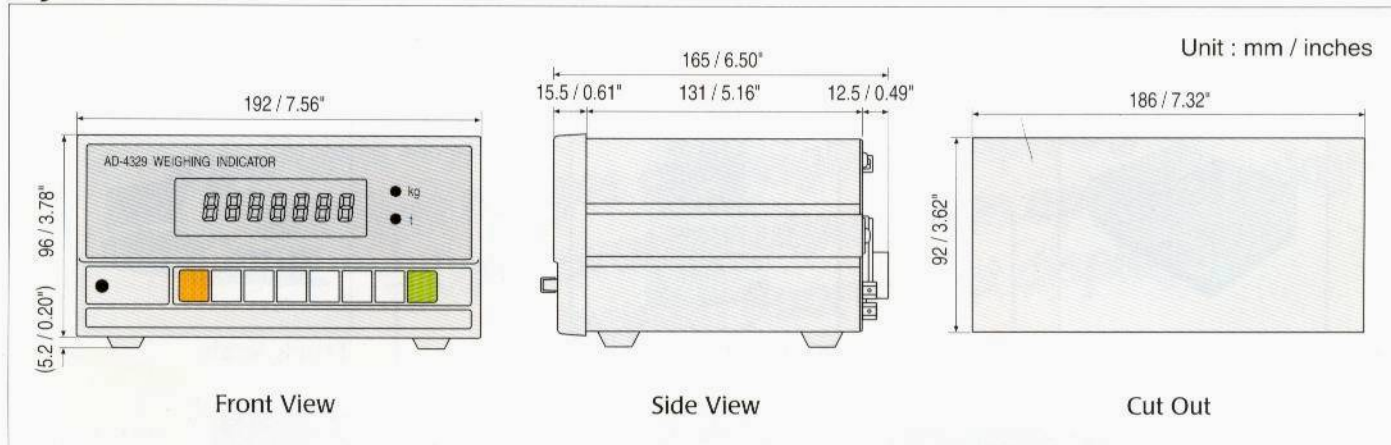
- Vacuum fluorescent display.
- Accumulative data is stored into memory automatically or manually.
- Comparator output (Hi/OK/Lo) to optional relays.
- Set-point comparison for batching applications. (Near Zero/Prelim/Target/Free Fall)
- Selectable weighing ranges.(up to triple ranges)
- Standard RS-232C.
- 4-point digital linearization.
- 1/20,000 displayed count resolution.(maximum)
- Powers up to 8 units of load cells at 350Ω.
- Averaging time and width can be selected for various applications.
- RFI/EMI protected.
- Meets OIML Class III specifications.
- Mount on panel, column or desk top.
- Enters predetermined tare weight from keypad.
- Can be controlled via external input.



# AD-4329

## Weighing Indicator

### Physical Dimensions



### Specifications

Input Sensitivity — 0.2 $\mu$ V/d (Min.)  
 Input Signal Range — -1mV to +15mV  
 Load Cell Excitation — 5V DC  $\pm$ 5%  
 Load Cell Drive Capacity — Up to 8 units of load cell at 350 $\Omega$  (120mA)  
 Zero Temperature Coefficient —  $\pm$ (0.2 $\mu$ V+8ppm of dead load)/ $^{\circ}$ C (typ)  
 Span temperature Coefficient —  $\pm$ 8ppm/ $^{\circ}$ C of reading (typ)  
 Non-Linearity — 0.01% of full scale  
 Maximum Input Noise — Less than 0.4 $\mu$ Vp-p  
 Input Impedance — 10M $\Omega$  or more  
 A/D Conversion method — Integrating dual slope type  
 A/D Internal Resolution — 40,000 counts  
 Maximum display resolution — 20,000 counts (maximum)  
 A/D Conversion rate — Approximately 10 times/sec.  
 Weight Display — Vacuum Fluorescent Display, 7-digit, 7-segment, 13mm (character height)  
 Annunciator — Stable, Zero Point, Gross, Net, Tare, Accumulation, kg/t or lb

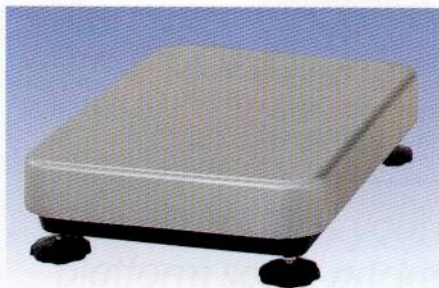
Keys — STANDBY/OPERATE, NET/GLOSS, PRESET TARE, TARE, ZERO, M+, MODE, PRINT  
 Power Supply — 100 to 240V AC (to be switched on voltage request), 45 to 65Hz, 30VA  
 Net Weight — Approximately 1.8 kg / 4.0 lb  
 Dimensions — 192(W)  $\times$  96(H)  $\times$  165(D) mm (compliance with DIN)  
 Panel Cut Out Dimensions — 186(W)  $\times$  92(H) mm  
 Operating Temperature — -10  $^{\circ}$ C to 40  $^{\circ}$ C (14  $^{\circ}$ F to 104  $^{\circ}$ F)  
 Storage Temperature — -10  $^{\circ}$ C to 70  $^{\circ}$ C (14  $^{\circ}$ F to 158  $^{\circ}$ F)

### Options

AD-4329-02 — Comparator output (Relay output)

### Standard accessories

- AC cable (2 meters)
- Load cell input plug
- Capacity sticker
- External input plug
- Rubber-foot (4 pcs)
- Current loop output plug



### Weighing Platform

#### SB Series

Splash and Dust Proof, equivalent to IP-65.

Model	Capacity (kg/lb)	Pan size (mm/inches)	Net weight (kg/lb)
SB-15K10-EX	15/30	250 $\times$ 250/9.8 $\times$ 9.8	4.5/9.9
SB-60K11-EX	60/150	330 $\times$ 424/13.0 $\times$ 16.7	8.0/17.6
SB-100K12-EX	100/200	390 $\times$ 530/15.4 $\times$ 20.9	14.0/30.8
SB-200K12-EX	220/500	390 $\times$ 530/15.4 $\times$ 20.9	14.0/30.8

Rated output 1mV/V  $\pm$  10%

Specifications subject to change for improvement without notice.

# A&D

...Clearly a Better Value

### A&D Company, Limited

3-23-14 Higashi-Ikebukuro, Toshima-ku, Tokyo 170-0013 JAPAN  
 Telephone: [81] (3) 5391-6132 Fax: [81] (3) 5391-6148  
<http://www.aandd.co.jp>

### A&D ENGINEERING, INC.

1555 McCandless Drive, Milpitas, CA, 95035 U.S.A.  
 Telephone: [1] (408) 263-5333 Fax: [1] (408) 263-0119

### A&D MERCURY PTY. LTD.

32 Dew Street, Thebarton, South Australia 5031 AUSTRALIA  
 Telephone: [61] (8) 8352-3033 Fax: [61] (8) 8352-7409

### A&D INSTRUMENTS LTD.

Unit 24/26 Blacklands Way Abingdon Business Park,  
 Abingdon, Oxon OX14 1DY United Kingdom  
 Telephone: [44] (1235) 550420 Fax: [44] (1235) 550485

### <German Sales Office>

Große Straße 13 b 22926 Ahrensburg GERMANY  
 Telephone: [49] (0) 4102 459230 Fax: [49] (0) 4102 459231

### A&D KOREA Limited

Manhattan Bldg. 8F, 36-2 Yoido-dong, Youngdeungpo-gu, Seoul, KOREA  
 Telephone: [82] (2) 780-4101 Fax: [82] (2) 782-4280